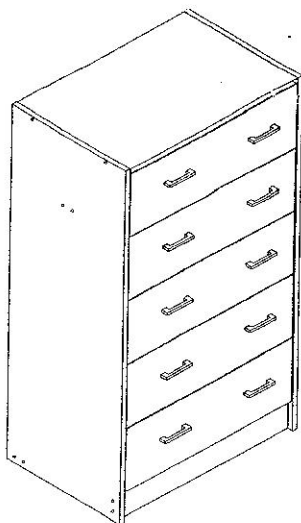


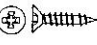



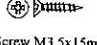

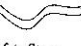
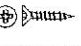




# 5 Drawer Chest



## HARDWARE LIST

|   |  |  |   |
|---|--|--|---|
| ①<br><br>Minifix Housing<br>Ø15 x 9.5mm - 20 Pcs | ②<br><br>Minifix Euro Bolt 924<br>- 20 Pcs               | ③<br><br>CSK Rattan Screw M4x38mm<br>- 36 Pcs | ④<br><br>Screw Cap - 16 Pcs  |
| ⑤<br><br>Handle 0288 With Screw<br>- 10 Sets     | ⑥<br><br>Plastic Drawer Runner<br>with Stopper - 10 Sets | ⑦<br><br>CSK Screw M3.5x15mm<br>- 21 Pcs      | ⑧<br><br>Nail - 24 Pcs       |
| ⑨<br><br>Safety Strap<br>- 1 Pc                  | ⑩<br><br>CSK Screw M3.5x25mm<br>- 1 Pc                   | ⑪<br><br>Wall Plug<br>- 1 Pc                  | ⑫<br><br>H Profile<br>- 1 Pc |

## ASSEMBLY TOOL REQUIRED



## FOLLOW ME


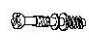
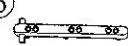

- First, check the contents to make sure that nothing is missing.
- Sort out the parts and fittings as shown, assemble product step by step.
- Rest the product on a cushioned surface to avoid damage.
- Do not overtighten the bolts.

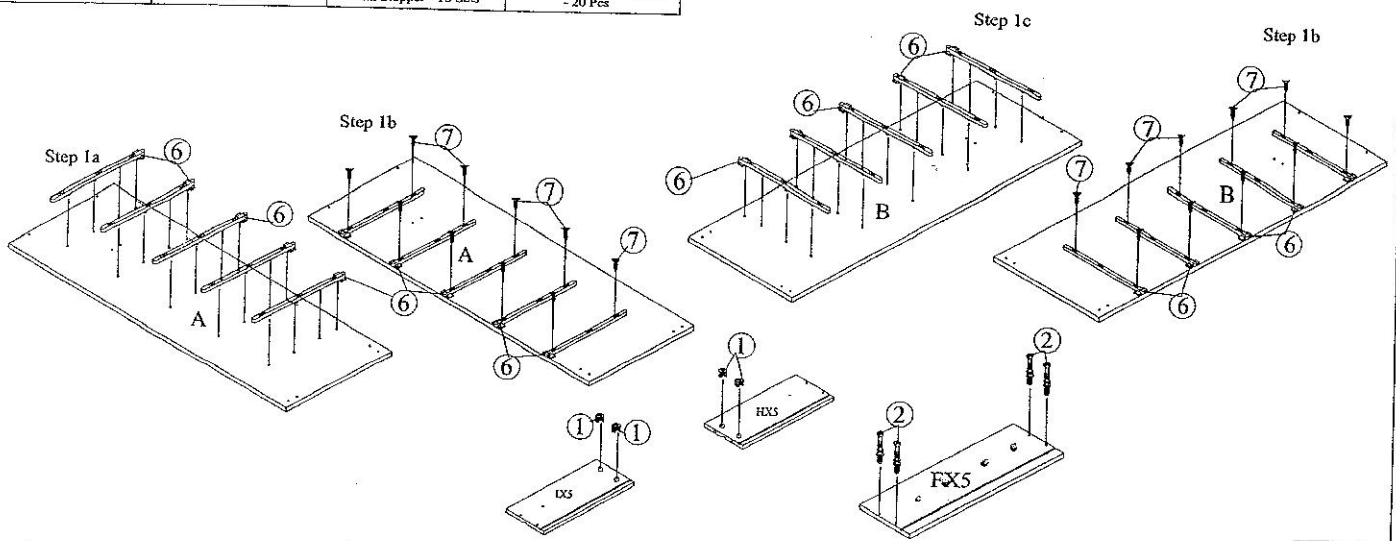
## AFTER CARE

To clean your product, use a soft cloth moistened in lukewarm soap and water. Then buff with a dry clean cloth.

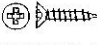

## WARNING

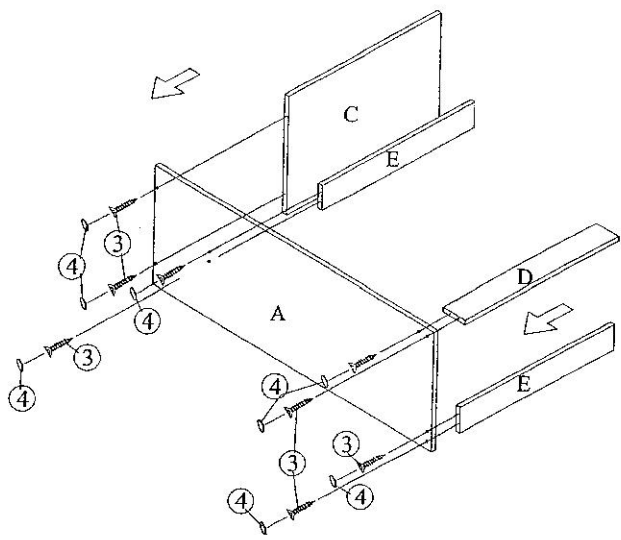
Not suitable for sitting and standing on.

- ①  Minifix Housing Ø15 x 9.5mm - 20 Pcs
- ②  Minifix Euro Bolt 924 - 20 Pcs
- ⑥  Plastic Drawer Runner with Stopper - 10 Sets
- ⑦  CSK Screw M3.5x15mm - 20 Pcs

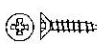


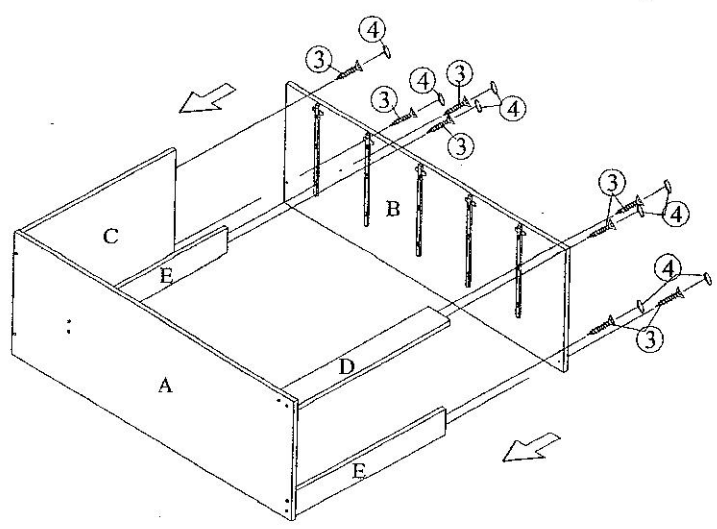
**STEP 1**

- ③  CSK Rattan Screw M4x38mm - 8 Pcs
- ④  Screw Cap - 8 Pcs



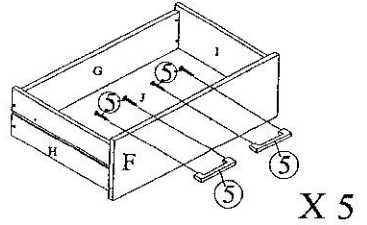
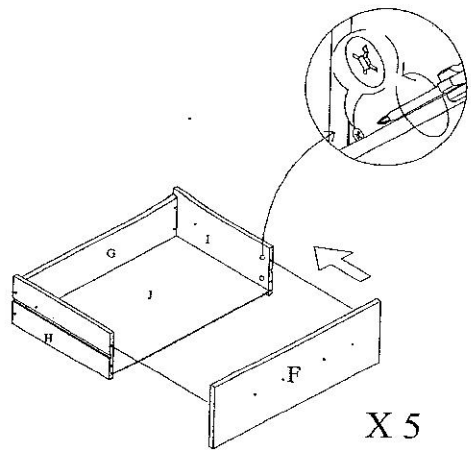
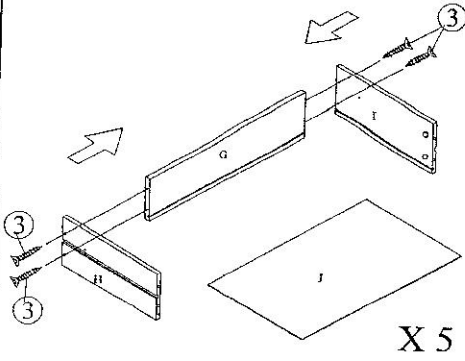
**STEP 2**

- ③  CSK Rattan Screw M4x38mm - 8 Pcs
- ④  Screw Cap - 8 Pcs



**STEP 3**

- ③ CSK Rattan Screw M4x38mm - 20 Pcs
- ⑤ Handle 0288 With Screw - 10 Sets

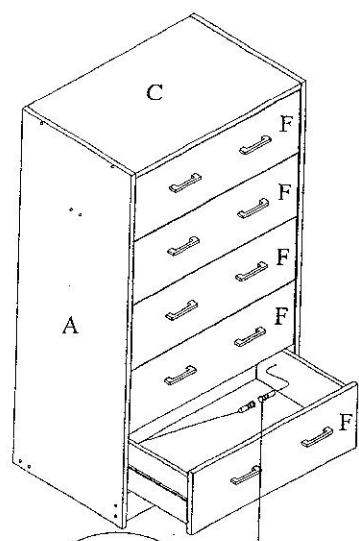


X 5

X 5

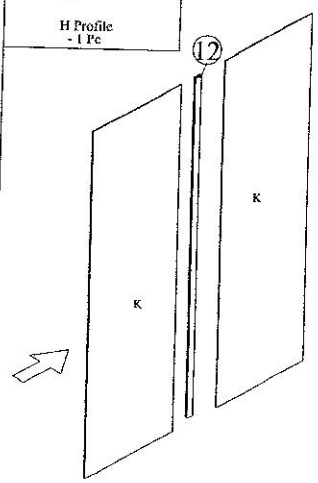
X 5

- ⑥ Plastic Drawer Runner with Stopper - 10 Sets



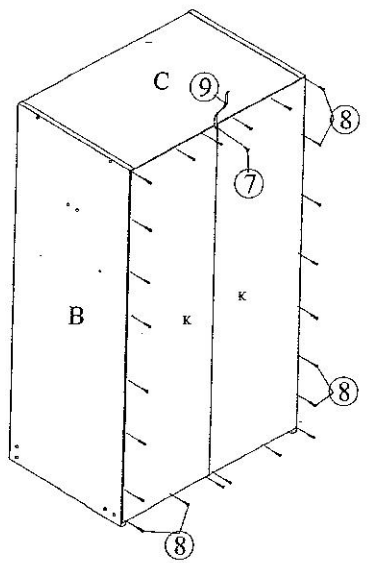
STEP 5

- ⑫ H Profile - 1 Pc



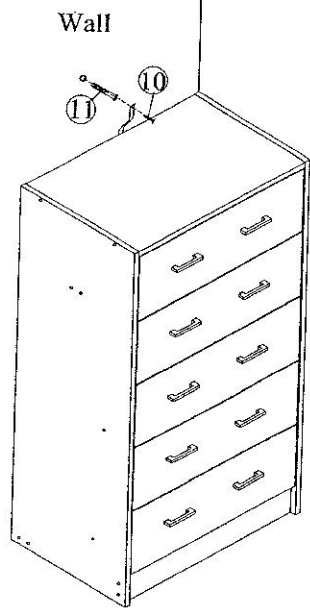
STEP 6

- ⑧ Nail - 24 Pcs
- ⑦ CSK Screw M3.5x15mm - 1 Pc
- ⑨ Safety Strap - 1 Pc



STEP 7

- ⑩ CSK Screw M3.5x25mm - 1 Pc
- ⑪ Wall Plug - 1 Pc



STEP 4

FINISH